

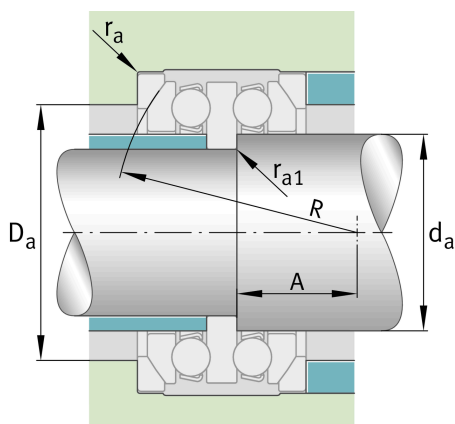
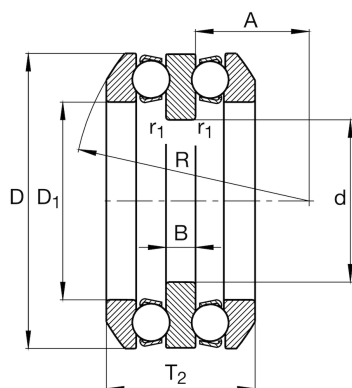
FAG

54207

Axial deep groove ball bearing

Schaeffler ID:  
0190747430000Axial deep groove ball bearing 542, double  
direction, with spherical housing washer,  
steel sheet metal cage

## Technical information



## Main Dimensions &amp; Performance Data

d	30 mm	Bore diameter
D	62 mm	Outside diameter
T <sub>2</sub>	37.8 mm	Height
C <sub>a</sub>	35,500 N	Basic dynamic load rating, axial
C <sub>0a</sub>	67,000 N	Basic static load rating, axial
C <sub>ua</sub>	3,100 N	Fatigue load limit, axial
n <sub>G</sub>	6,000 1/min	Limiting speed
n <sub>gr</sub>	7,500 1/min	Reference speed
	0.423 kg	Weight

## Dimensions

D <sub>1</sub>	37 mm	Bore diameter housing washer
B	8 mm	Height shaft washer
r <sub>min</sub>	1 mm	Minimum chamfer dimension
r <sub>1 min</sub>	0.3 mm	Minimum chamfer dimension
R	50 mm	Radius spherical housing washer
A	21 mm	Distance of the center point
T <sub>3</sub>	42 mm	Height with seat washer

## Mounting dimensions

d <sub>a max</sub>	35 mm	Maximum mounting dimension shaft
D <sub>a max</sub>	48 mm	Maximum diameter of housing shoulder
r <sub>a max</sub>	1 mm	Maximum recess radius
r <sub>a1 max</sub>	0.3 mm	Maximum recess radius

## Additional information

A	0.028	Minimum load factor
	U207	Seat washer

## Temperature range

T <sub>min</sub>	-30 °C	Operating temperature min.
T <sub>max</sub>	150 °C	Operating temperature max.